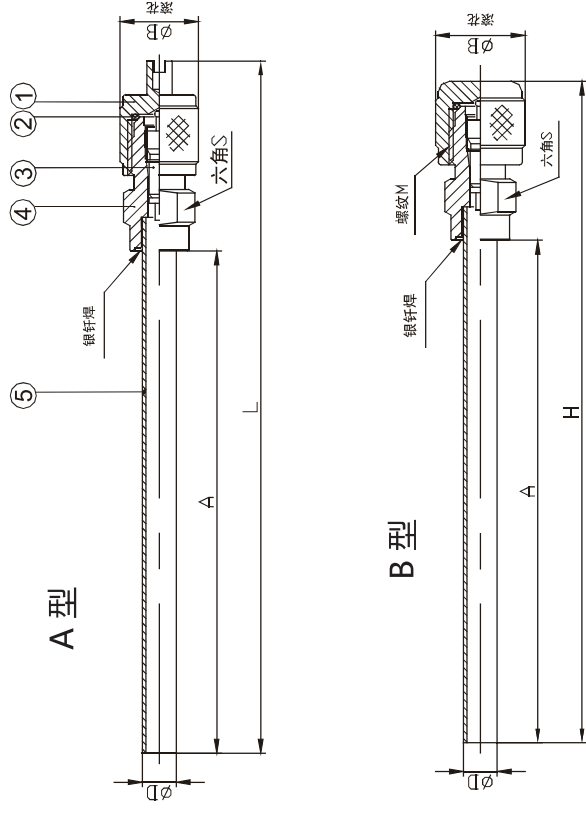


充注阀 Charging valve

外形结构 Configuration



产品概述 Product Description

- 充注阀是一种用于冷流、冷藏和空气调节装置各个部位的。
- The charging valve is a one-way service valve with valve inside.
- The charging valve is used on the freezer, cold store and air-conditioning unit.

产品特点 Features

- 采用优质铜质阀芯，性能可靠
- 双重密封确保无泄漏
- 可提供各种长度和硬度的铜接管
- 阀帽装饰设计，装卸方便
- Equipped with imported valve inside of reliable performance.
- Double sealing ensure leaktight.
- Copper tube of various lengths and hardness are available.
- Valve bonnet is knurled for easy handling.

技术参数 Technical Parameters

适用制冷剂 Applicable Refrigerant	HCFC and HFC
适用介质温度 Applicable Medium Temperature	-25℃~+120℃
最大工作压力 Max. Operating Pressure	3.0MPa
最大前压力 Max. Allowable Pressure	4.5MPa

选型 Product Model

型号 Type	接口 Connection	规格 Size	外形尺寸 Overall Dimension				六角 Hexagonal S	螺纹 Thread M	重量(g) Weight(g)
			A	B	ΦD	H			
Type A	1/8SAE	1/8	60	14	3.17	---	94	7/16-20UNF	22
	1/4SAE	3/16	60	14	4.76	---	94		23
	1/2SAE	1/4	90	14	6.35	---	124		28
Type B	1/4SAE	1/4	90	14	6.35	118	---	7/16-20UNF	30
	1/2SAE	1/4	90	16	6.35	118	---	1/2-20UNF	39
	1/2SAE	1/4	90	16	6.35	118	---	1/2-16UNF	40

注：A、H、L长度也可按客户要求定制